

Oct. 16, 1973

M. OGNYANOV

3,766,094

SEMICONDUCTIVE COMPOSITIONS

Filed Sept. 20, 1971

2 Sheets-Sheet 1

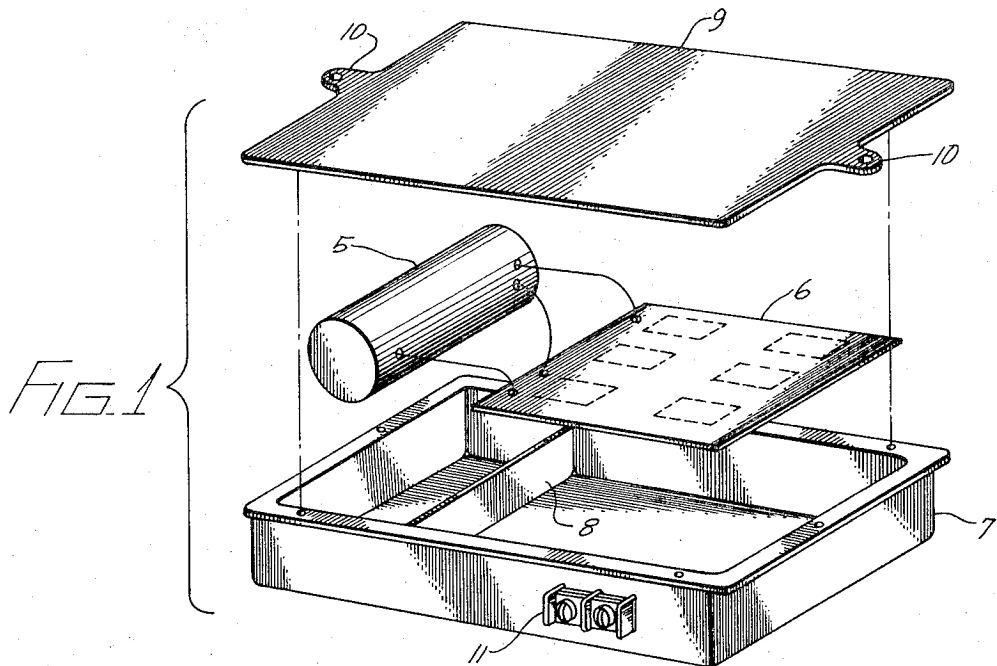


FIG. 2

